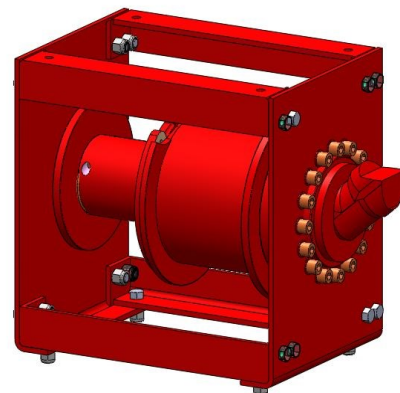
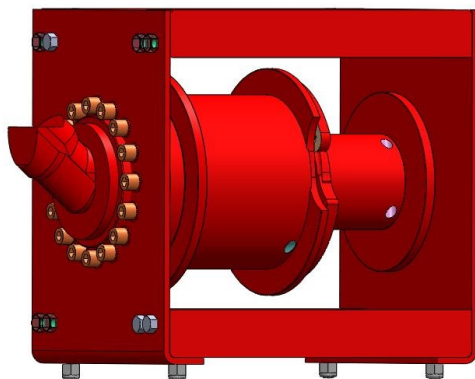
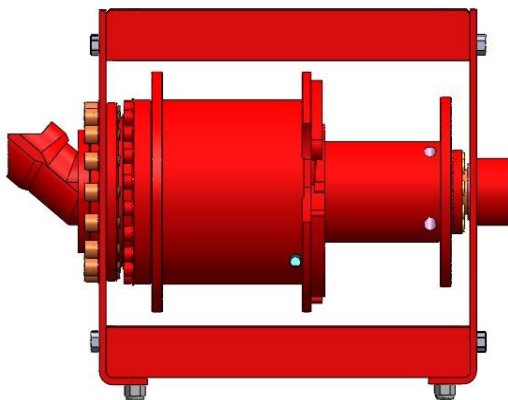


WESPAC

Transport Equipment

WESPAC Winch Model 9600EP

- Winch is rated at 20 Tonnes line pull on small drum with slow speed
- Winch is rated at 10 Tonnes line pull on larger drum with faster speed
- Winch speed is dependant on oil supplied.
- 2 step drum allows for cable to be wound on smaller drum, and allows it to climb onto the larger drum when required
- Mechanical efficiency is 92% for 3 stages reduction
- Winch assembly is designed to be fitted between gooseneck beams on dropdeck semi trailer
- Can be supplied in width up to 1200mm
- Winch shown is 733mm wide
- No other winch supplier will supply a custom made winch
- Winch comes with overcenter valve to prevent accidental unwind.
- Requires oil supply to operate
- Winch does not come with "freefall" due to safety issue.
- Winch must be hydraulically operated to unwind cable



To order:

- Specify space required to fit this in
- Provide a drawing in .dxf or .dwg where installation is required.
- In return, we will provide this winch to suit
- Once we have your details,
- We will then give you a quotation
- (We have 1 drum in stock now)

WESPAC TRANSPORT EQUIPMENT

AFN Agencies

73 Strelley Street
Busselton, Western Australia
ABN: 69 099 851 120

Phone: 08-8359-4444; 08-9754-2217

Fax: 08-9754-2774

E-mail: sales@wespac.com.au

E-mail: moic999@gmail.com

Web Site: www.wespac.com.au

Skype: moic999 (Winch)

